

Q6 Edge³

PRODUCT SPECIFICATIONS SHEET

Class of Use	B (Group 3)
Weight Capacity	300 lbs. (136 kg/21 stone 6 lbs.)
Maximum Speed ¹	Up to 6 mph (9.6 km/h) Up to 4.5 mph (7.24 km/h) with iLevel® Up to 4 mph (6.4 km/h), only United Kingdom Up to 3.2 mph (5.15 km/h) with iLevel® United Kingdom
Ground Clearance ²	2.7 in. (69 mm) at battery tray
Turning Radius ²	20.5 in. (521 mm)
Overall Size ^{2,6}	Length: 32.23 in. (820 mm) without front riggings Width: 24.4 in. (622 mm) 28.9 in. (735 mm) with armrests
Drive Wheels	14 in. (356 mm), pneumatic and solid available
Caster Wheels	6 in. (152 mm)
Suspension	SRS (Smooth Ride Suspension)
Range ^{1,4}	Up to 17.2 miles (27.6 km)
Component Weights ^{5,7}	Base: 138.6 lbs (63 kg) Batteries: 38 lbs. (17.24 kg) each Total Mass of Power Chair: Less than 388.6 lbs. (176.3 kg) with Captain Seating
Drivetrain	Two motor, Mid-wheel 6® drive
Brakes	“Intelligent Braking” electronic regenerative, disc park brake
Batteries ³	Two 12-volt, deep-cycle NF-22 batteries
Battery Charger	8-amp, off-board
Freewheel Operational Force	Less than 60 N
Drive Control Operational Force	Less than 5 N
Maximum Rated Slope	7.5° (13.2%)
Maximum Obstacle Climbing Ability (Ascending and Descending)	2.95 in (75 mm)
Measured Sound Level (A-weighted)	Less than 65 dB

¹ Varies with base model, user weight, terrain type, battery amp hour rating (Ah), battery charge, battery condition, motors, controller type, tire type, and tire condition. This specification is subject to a variance of +10%, -5%.

² Due to manufacturing tolerances and continued product improvement, this specification can be subject to a variance of (+ or -) 3%.

³ AGM or Gel-Cell type required. See “Batteries and Charging.”

⁴ Tested in accordance with ANSI/RESNA, WC Vol. 2, Section 4 & ISO 7176-4 standards. Results derived from theoretical calculations based on battery specifications and drive system performance. Test conducted at maximum weight capacity.

⁵ Battery weight may vary based on manufacturer.

⁶ Dimensions listed are for power base only. Overall measurements will vary based on seating and accessory selections.

⁷ Total mass of power chair(s), outlined in this document, represents the mass of the power chair(s) as tested with manufacturer-installed transit system at the time it was manufactured. The addition of the after-market accessories or changes to the tested configuration will invalidate the mass value.

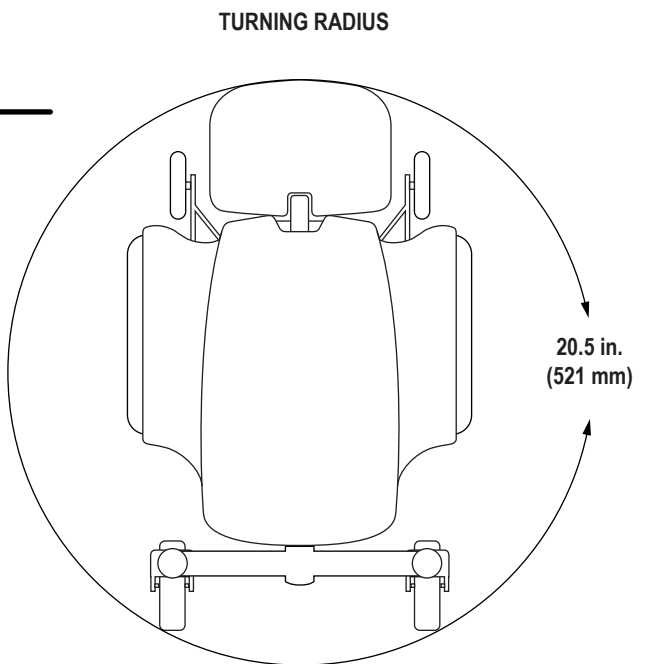
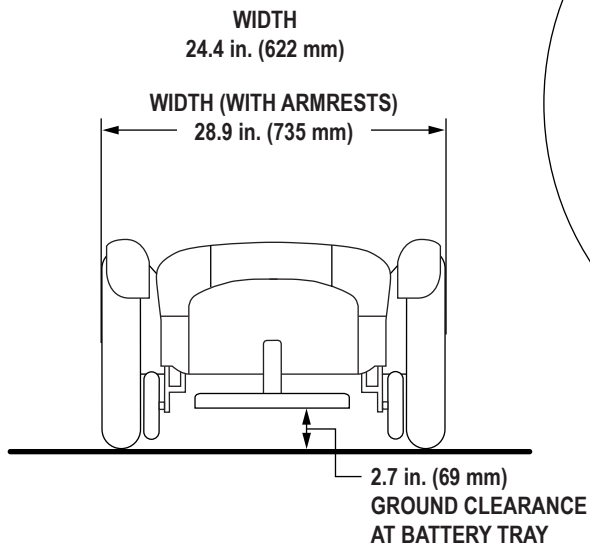
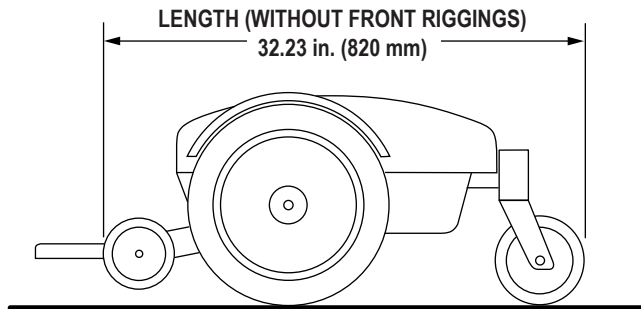
NOTE: This product conforms to all applicable ANSI/RESNA, ISO 7176 Series, AS/NZS 3695.2, and EN12184 standards. All specifications subject to change without notice.

Rev A/April 2018



Q6 Edge³

PRODUCT SPECIFICATIONS SHEET



Rev A/April 2018

